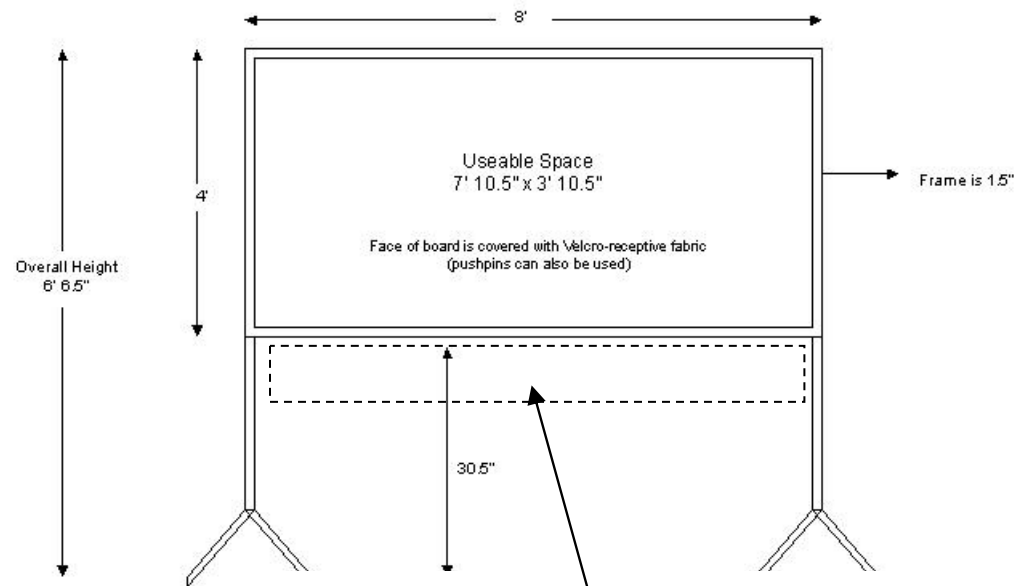


ASMS Poster Board Example

Each author will be provided one board 7 feet 10 inches across (239 cm) and 3 feet 10 inches high (117 cm). Each board will be numbered on the upper left corner. Be sure you place your presentation on the board number for your poster that appears in the final program (mobile app or printed program distributed at meeting).

There will be a table under each poster board. This table will be used/shared by two posters (the front and back of each poster board.) Approximately 8 inches of table space will provide a ledge under your poster.

Poster boards are push-pin and Velcro compatible. ASMS provides push-pins at the poster supply counter located just inside the entrance of the poster hall.



There will be a table below each board here.